

Steinway & Sons Remote Control

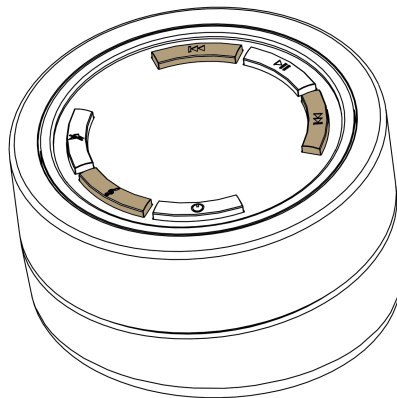
Pairing instruction

When the Steinway Lyngdorf Remote Control is switched on for the first time, it will automatically search for a Steinway & Sons processor. This will be indicated by the logo on the display blinking fast.

Please hold the Remote Control close to the processor. This will pair the two units, and the Remote Control can now be used.

Manually pairing process

If the pairing was not successful, or the Remote Control had been paired to another product, you can activate the pairing process by pressing these three buttons:



Please hold the Remote Control close to the Processor. This will pair the two units, and the Remote Control can now be used.

No logo showing

If the Remote Control display shows no logo, there is no power, and it needs to be re-charged. Put the Remote Control on the power supply for a couple of minutes.